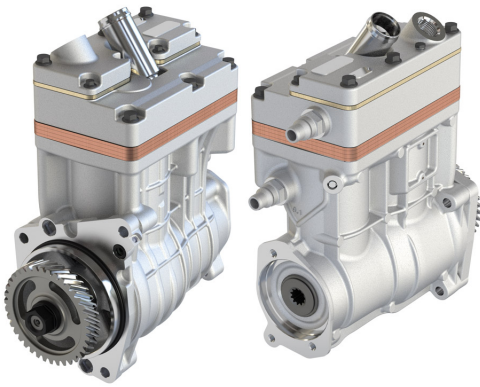


Application: OM 936 / TOURISMO / CITARO


OEM	OE
LP490	936 130 08 15
14900028513	936 130 09 15
14900028512	936 130 31 15
14900028511	001 130 41 15
14900028510	001 130 61 15
14900105410	001 130 63 15
14900119510	001 130 65 15
14900128010	001 130 90 15
14900128011	001 130 94 15
14900146010	002 130 43 15
14900146011	471 130 07 15
14900184510	471 130 10 15
14900184610	470 130 00 15
14900184710	471 130 04 15
	471 130 00 15
	471 130 20 15
	471 130 33 15
	471 130 35 15
	471 130 41 15
	471 130 43 15
	936 130 22 15

Cylinder Bore	Ø92 / Ø60
Stroke	60 / 30 mm
Swept Volume	490 cc
Air Inlet Port Size	Ø34.5
Air Delivery Port Size	M26x1,5
Number of Cylinders	2
Through Drive	Yes
Unloader Port Size	-
Water Or Air Cooled	W
Water Inlet Port Size	M18x1.5
Water Delivery Port Size	M18x1.5
Water Cooled Valve Plate	Yes

Components

543.01.1100	Crankcase	OEM	OE

543.01.1220	Cylinder Upper Head	OEM	OE

543.01.1230	Cylinder Lower Head	OEM	OE

543.01.1210	Cylinder Head With Plate Kit	OEM	OE

543.01.1300	Plate Kit	OEM	OE
			0011308815

505.01.1400	Connecting Rod	OEM	OE

505.01.1460	Connecting Rod	OEM	OE


544.01.1500	Crankshaft	OEM	OE


544.01.1510	Adapter	OEM	OE

543.01.1650	Front Flange	OEM	OE


505.01.1700	Piston With Rings (STD)	OEM	OE
	505.01.1700-Ø92.00 mm		
	505.01.1750-Ø60.00 mm		

505.01.1800	Piston Ring Kit (STD)	OEM	OE
	505.01.1800-Ø92.00 mm		
	505.01.1850-Ø60.00 mm		

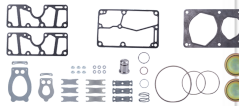
543.01.2800 Cylinder Liner		OEM	OE
			

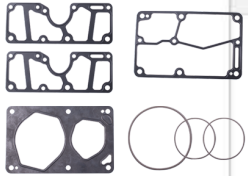
543.01.2810 Cylinder Liner Kit		OEM	OE
			


543.01.2850 Cylinder Liner		OEM	OE
			

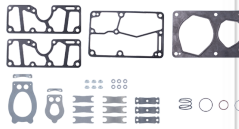
543.01.2860 Cylinder Liner & Piston w Rings		OEM	OE
			

543.01.2350 Repair Kit w/o Bushing		OEM	OE
			

543.01.2330 Repair Kit		OEM	OE
			

543.01.2100 Gasket & Sealing Kit		OEM	OE
			

505.01.2200 Valve Kit		OEM	OE
			

543.01.1280 Head Repair Kit		OEM	OE
			

487.01.2900 Gear		OEM	OE
			9361320305

505.01.1900 Cap		OEM	OE
			

		OEM	OE

		OEM	OE

		OEM	OE

		OEM	OE

		OEM	OE

		OEM	OE

		OEM	OE